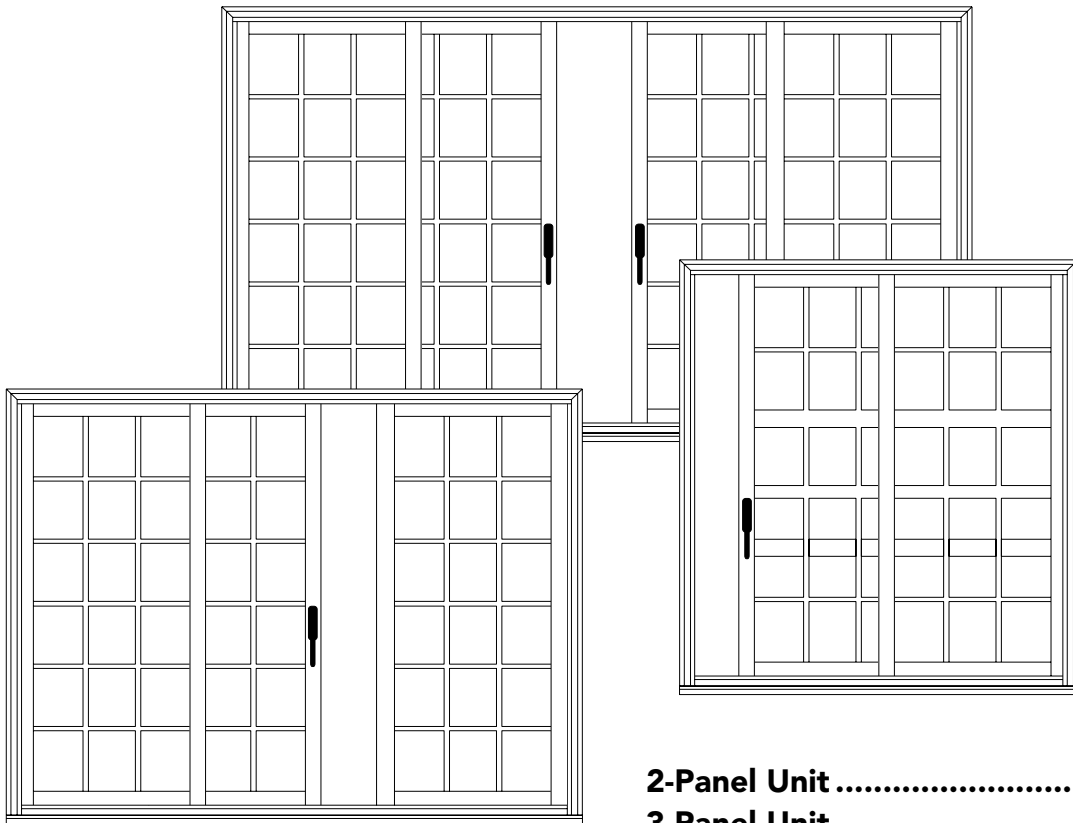




Ariel[®] *Sliding Patio Doors*

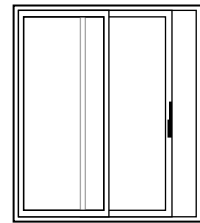
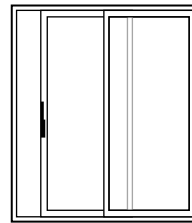
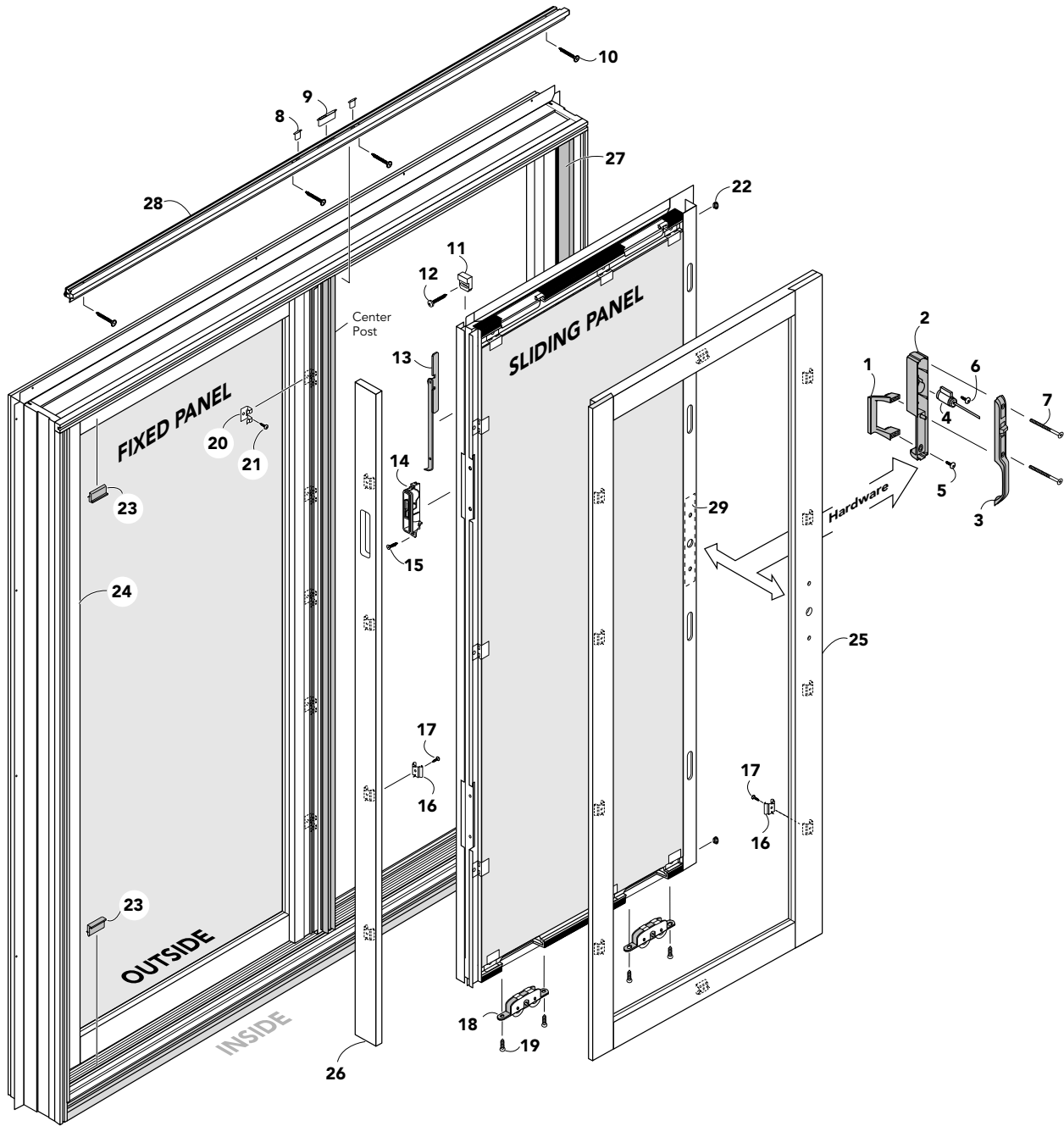
REPLACEMENT PARTS CATALOG



2-Panel Unit	2
3-Panel Unit	4
4-Panel Unit	6
Screens	Back Cover
Unit Sizes.....	Back Cover

Notice: The replacement parts shown herein are for the Ariel[®] sliding patio door. The Ariel can be

2-Panel Unit



UNITS VIEWED FROM OUTSIDE

2-Panel Unit

Part Description		Part Number	Comments	
1	Hardware Handle	34021002	Black Zinc finish	Set includes: • Inside & Outside Escutcheons • Inside Handle • Screws & Key Cylinder
2	Outside Escutcheon		Black Zinc finish	
3	Inside Escutcheon		Black Zinc finish	
4	Key Cylinder	09000005	Includes tailpiece with cylinder screw (thumbturn inside/key outside)	
5	Hardware Handle Screw	See Notes	#10-24x3/8" Truss Head, Phillips, Machine	
6	Key Cylinder Screw	See Notes	#8x3/8" Truss Head, Phillips, Thread Forming	
7	Escutcheon Screw	See Notes	#10-24x3/4" Oval Head, Phillips, Machine	
8	Flush Bolt Strike - 5" Opening	34021040		
8	Flush Bolt Strike - Blank	34021020		
9	Flush Bolt Strike - Closed	34021030		
10	Head Stop Screw	See Notes	#10x1-1/2" Flat Head, Phillips, Self Tapping	
11	Flush Bolt Retainer Kit	34021045		
12	Flush Bolt Retainer Screw	See Notes	#10x1-1/4" Pan Head, Phillips, Self Tapping	
13	Flush Bolt Assembly	34021015		
14	Astragal Assembly Lever Kit	38520093		
15	Astragal Assembly Lever Screw	See Notes	#8x1/2" Pan Head, Phillips, Self Tapping	
16	Liner Spring Kit	34000130		
17	Liner Spring Screw	See Notes	#6x3/8" Pan Head, Phillips, Self Tapping	
18	Tandem Roller Kit	34521050		
19	Tandem Roller Screw	See Notes	#8x1/2" Flat Head, Phillips, Self Tapping	
20	Mullion Spring Kit	34000120		
21	Mullion Spring Screw	See Notes	#10x1/2" Pan Head, Phillips, Self Tapping	
22	Lock Stile Plug Kit	31050015	Kit includes (2) plugs	
23	Panel Bumper Kit	34010010	Kit includes head and sill bumpers	
24	Fixed Panel Wood Liner Kit	540402...*	Clear pine; Kit includes Liner with springs and screws applied *Specify unit size when ordering (see back cover)	
25	Sliding Panel Wood Liner Kit	540402...*	Clear pine; Kit includes Liner with springs and screws applied *Specify unit size when ordering (see back cover)	
26	6'8 Wood Interlock Cover	54020650	Kit includes Cover with springs and screws	
26	8'0 Wood Interlock Cover	54020655	Kit includes Cover with springs and screws	
27	6'8 PVC Lock Cover Assembly	34022500	Kit includes Lock Cover and Poly-Pile Weatherstrip (P/N below)	
27	8'0 PVC Lock Cover Assembly – specify left or right hand	3402250[5/6]	Kit includes Lock Cover and Poly-Pile Weatherstrip (P/N below)	
28	5'0 Head Stop Assembly	54030316	Kit includes Stop and PVC Panel Guide (P/N below)	
28	6'0 Head Stop Assembly	54030318	Kit includes Stop and PVC Panel Guide (P/N below)	
28	8'0 Head Stop Assembly	54030120	Kit includes Stop and PVC Panel Guide (P/N below)	
29	Lock Mechanism	34021001	Replacement requires panel removal	

Weatherstrip (Not Shown)	Where used	Part Number	Comments
Poly-Pile	• Sill, PVC Lock Cover	9999...*	*Specify unit size and where used when ordering
PVC Panel Guide	• Head Stop	34012110	Specify unit size when ordering
C-Fold	• Head and Sill	39010096	Specify unit size when ordering
Q-Lon Foam	• Fixed Jamb Wood Closure	34020110	Specify unit size when ordering
.250 Q-Lon	• Lock Jamb Closure	35408465	Specify unit size when ordering
.275 Q-Lon	• Fixed Panel	34020102	Specify unit size when ordering
6'8 PVC Mullion Seal	• Center Post Assembly	34022100	Specify unit size when ordering
8'0 PVC Mullion Seal	• Center Post Assembly	34022105	Specify unit size when ordering

NOTES: - Sizes given are nominal. See back cover to determine your unit size.
- Standard size/type screws can be purchased from your local hardware store.

To order replacement parts, contact your local Peachtree dealer or call **1-800-PEACH99**.

GLASS TYPES: Check the glass identification label on the spacer between glass surfaces to determine your glass type.

IF YOU ARE UNSURE OF THE TYPE OF GLASS IN YOUR DOOR, OR IF THE GLASS IDENTIFICATION LABEL IS FOR A TYPE NOT LISTED, PLEASE CONTACT YOUR LOCAL AUTHORIZED PEACHTREE DEALER TO DETERMINE YOUR GLASS TYPE.

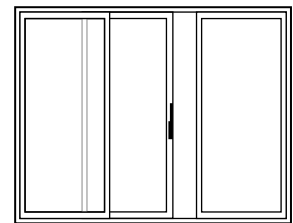
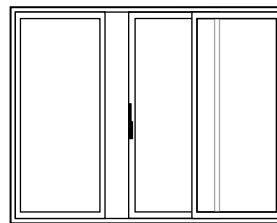
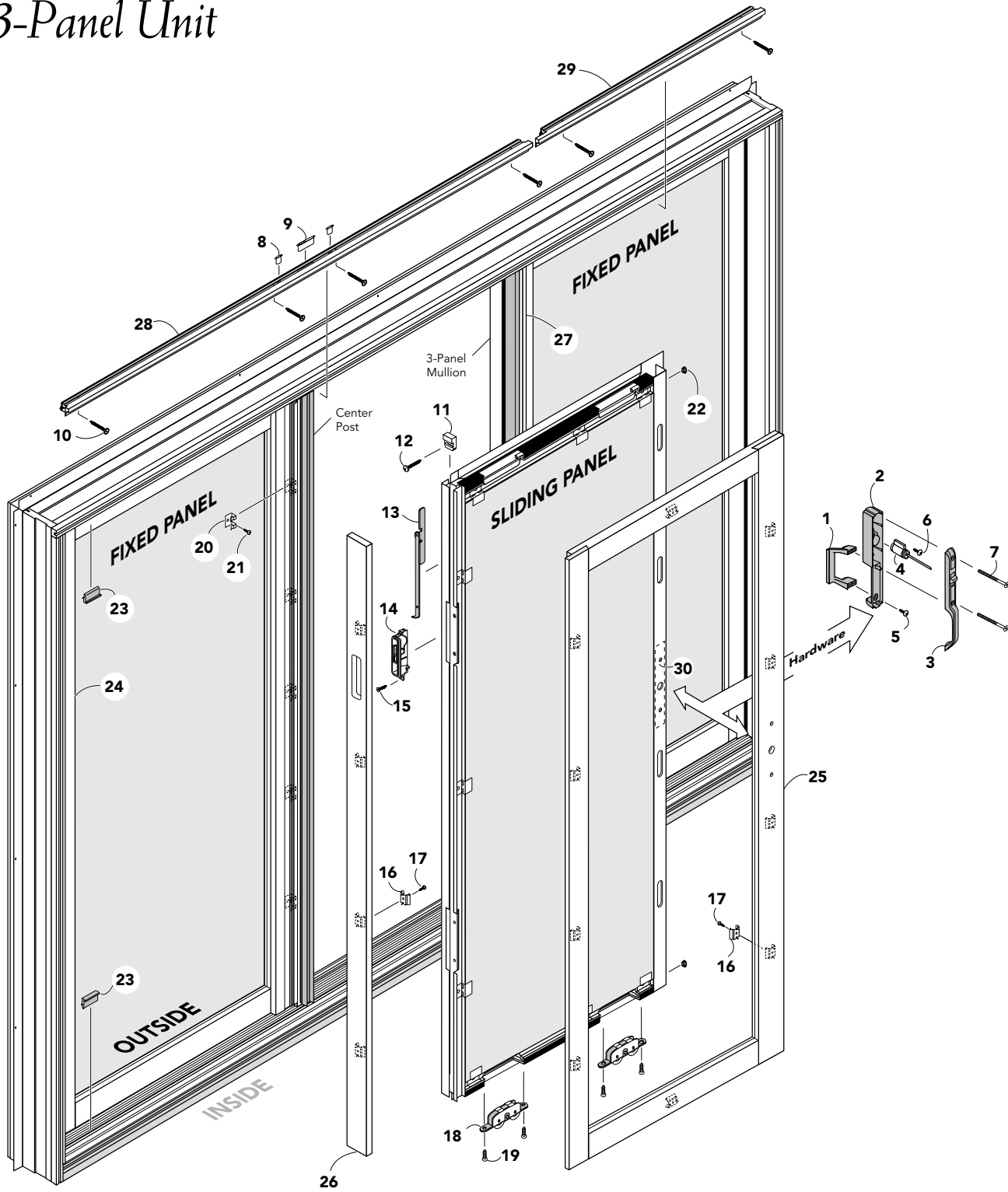
B = Twinsul Clear, Tempered

D = Twinsul Bronze Tint Tempered

BE = Clear Tempered Low-E Glass

DE = Bronze Tempered Low-E Glass

3-Panel Unit



UNITS VIEWED FROM OUTSIDE

UNITS VIEWED FROM OUTSIDE

3-Panel Unit

Part Description		Part Number	Comments	
1	Hardware Handle	34021002	Black Zinc finish	Set includes: • Inside & Outside Escutcheons • Inside Handle • Screws & Key Cylinder
2	Outside Escutcheon		Black Zinc finish	
3	Inside Escutcheon		Black Zinc finish	
4	Key Cylinder	09000005	Includes tailpiece with cylinder screw (thumbturn inside/key outside)	
5	Hardware Handle Screw	See Notes	#10-24x3/8" Truss Head, Phillips, Machine	
6	Key Cylinder Screw	See Notes	#8x3/8" Truss Head, Phillips, Thread Forming	
7	Escutcheon Screw	See Notes	#10-24x3/4" Oval Head, Phillips, Machine	
8	Flush Bolt Strike - 5" Opening	34021040		
8	Flush Bolt Strike - Blank	34021020		
9	Flush Bolt Strike - Closed	34021080		
10	Head Stop Screw	See Notes	#10x1-1/2" Flat Head, Phillips, Self Tapping	
11	Flush Bolt Retainer Kit	34021045		
12	Flush Bolt Retainer Screw	See Notes	#10x1-1/4" Pan Head, Phillips, Self Tapping	
13	Flush Bolt Assembly	34021015		
14	Astragal Assembly Lever Kit	38520095		
15	Astragal Assembly Lever Screw	See Notes	#8x1/2" Pan Head, Phillips, Self Tapping	
16	Liner Spring Kit	34000130		
17	Liner Spring Screw	See Notes	#6x3/8" Pan Head, Phillips, Self Tapping	
18	Tandem Roller Kit	34521050		
19	Tandem Roller Screw	See Notes	#8x1/2" Flat Head, Phillips, Self Tapping	
20	Mullion Spring Kit	34000120		
21	Mullion Spring Screw	See Notes	#10x1/2" Pan Head, Phillips, Self Tapping	
22	Lock Stile Plug Kit	31050015	Kit includes (2) plugs	
23	Panel Bumper Kit	34010010	Kit includes head and sill bumpers	
24	Fixed Panel Wood Liner Kit	5404...*	Clear pine; Kit includes Liner with springs and screws applied *Specify unit size when ordering (see back cover)	
25	Sliding Panel Wood Liner Kit	5404...*	Clear pine; Kit includes Liner with springs and screws applied *Specify unit size when ordering (see back cover)	
26	6'8 Wood Interlock Cover	54020650	Kit includes Cover with springs and screws	
26	8'0 Wood Interlock Cover	54020655	Kit includes Cover with springs and screws	
27	6'8 PVC Lock Cover Assembly	34022507	Kit includes Lock Cover and Poly-Pile Weatherstrip (P/N below)	
27	8'0 PVC Lock Cover Assembly – specify left or right hand	3402250[8/9]	Kit includes Lock Cover and Poly-Pile Weatherstrip (P/N below)	
28	7'6 Head Stop Assembly	54030316	Kit includes Stop and PVC Panel Guide (P/N below)	
28	9'0 Head Stop Assembly	54030318	Kit includes Stop and PVC Panel Guide (P/N below)	
28	12'0 Head Stop Assembly	54030320	Kit includes Stop and PVC Panel Guide (P/N below)	
29	7'6 Short Head Stop Assembly	54030321	Kit includes Stop and PVC Panel Guide (P/N below)	
29	9'0 Short Head Stop Assembly	54030322	Kit includes Stop and PVC Panel Guide (P/N below)	
29	12'0 Short Head Stop Assembly	54030324	Kit includes Stop and PVC Panel Guide (P/N below)	
30	Lock Mechanism	34021001	Replacement requires panel removal	

Weatherstrip (Not Shown)	Where used	Part Number	Comments
Poly-Pile	• Sill, PVC Lock Cover, 3-Panel Mullion	39010080	Specify unit size and where used when ordering
PVC Panel Guide	• Head Stop, Short Head Stop	34012110	Specify unit size and where used when ordering
C-Fold	• Head and Sill	39010096	Specify unit size when ordering
Q-Lon Foam	• Fixed Jamb Wood Closure	34020110	Specify unit size when ordering
.200 Q-Lon	• Mullion Assembly	34020106	Specify unit size when ordering
.275 Q-Lon	• Fixed Panel	34020102	Specify unit size when ordering
6'8 PVC Mullion Seal	• Center Post, 3-Panel Mullion	34022101	Specify unit size and where used when ordering
8'0 PVC Mullion Seal	• Center Post, 3-Panel Mullion	34022106	Specify unit size and where used when ordering

NOTES: - Sizes given are nominal. See back cover to determine your unit size.
 - Standard size/type screws can be purchased from your local hardware store.
 To order replacement parts, contact your local Peachtree dealer or call 1-800-PEACH99.

GLASS TYPES: Check the glass identification label on the spacer between glass surfaces to determine your glass type.

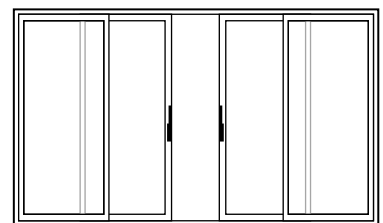
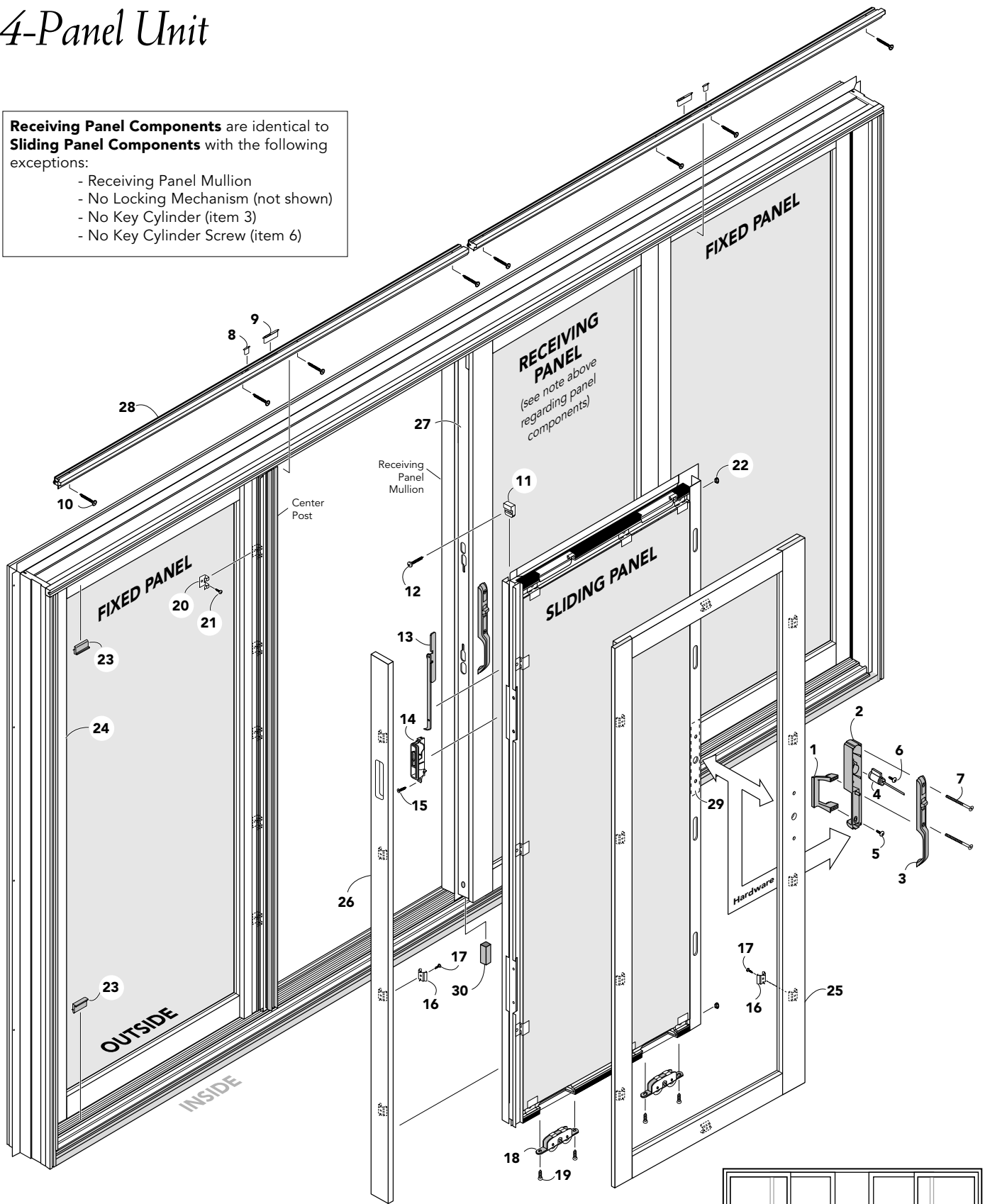
IF YOU ARE UNSURE OF THE TYPE OF GLASS IN YOUR DOOR, OR IF THE GLASS IDENTIFICATION LABEL IS FOR A TYPE NOT LISTED, PLEASE CONTACT YOUR LOCAL AUTHORIZED PEACHTREE DEALER TO DETERMINE YOUR GLASS TYPE.

B = Twinsul Clear, Tempered BE = Clear Tempered Low-E Glass
 D = Twinsul Bronze Tint Tempered DE = Bronze Tempered Low-E Glass

4-Panel Unit

Receiving Panel Components are identical to **Sliding Panel Components** with the following exceptions:

- Receiving Panel Mullion
- No Locking Mechanism (not shown)
- No Key Cylinder (item 3)
- No Key Cylinder Screw (item 6)



OXXO Slide

UNIT VIEWED FROM OUTSIDE

4-Panel Unit

Part Description		Part Number	Comments	
1	Hardware Handle	34021002	Black Zinc finish	Set includes: • Inside & Outside Escutcheons • Inside Handle • Screws & Key Cylinder
2	Outside Escutcheon		Black Zinc finish	
3	Inside Escutcheon		Black Zinc finish	
4	Key Cylinder	09000005	Includes tailpiece with cylinder screw (thumbturn inside/key outside)	
5	Hardware Handle Screw	See Notes	#10-24x3/8" Truss Head, Phillips, Machine	
6	Key Cylinder Screw	See Notes	#8x3/8" Truss Head, Phillips, Thread Forming	
7	Escutcheon Screw	See Notes	#10-24x3/4" Oval Head, Phillips, Machine	
8	Flush Bolt Strike - 5" Opening	34021040		
8	Flush Bolt Strike - Blank	34021020		
9	Flush Bolt Strike - Closed	34021030		
10	Head Stop Screw	See Notes	#10x1-1/2" Flat Head, Phillips, Self Tapping	
11	Flush Bolt Retainer Kit	34021045		
12	Flush Bolt Retainer Screw	See Notes	#10x1-1/4" Pan Head, Phillips, Self Tapping	
13	Flush Bolt Assembly	34021015		
14	Astragal Assembly Lever Kit	38520095		
15	Astragal Assembly Lever Screw	See Notes	#8x1/2" Pan Head, Phillips, Self Tapping	
16	Liner Spring Kit	34000130	Kit includes one Liner Spring and screw	
17	Liner Spring Screw	See Notes	#6x3/8" Pan Head, Phillips, Self Tapping	
18	Tandem Roller Kit	34521050		
19	Tandem Roller Screw	See Notes	#8x1/2" Flat Head, Phillips, Self Tapping	
20	Mullion Spring Kit	34000120		
21	Mullion Spring Screw	See Notes	#10x1/2" Pan Head, Phillips, Self Tapping	
22	Lock Stile Plug Kit	31050015	Kit includes (2) plugs	
23	Panel Bumper Kit	34010010	Kit includes head and sill bumpers	
24	Fixed Panel Wood Liner Kit	5404...*	Clear pine; Kit includes Liner with springs and screws applied *Specify unit size when ordering (see back cover)	
25	Sliding Panel Wood Liner Kit	5404...*	Clear pine; Kit includes Liner with springs and screws applied *Specify unit size when ordering (see back cover)	
26	6'8 Wood Interlock Cover	54020660	Kit includes Cover with springs and screws	
26	8'0 Wood Interlock Cover	54020635	Kit includes Cover with springs and screws	
27	6'8 PVC Lock Cover Assembly	34022507	Kit includes Lock Cover and Poly-Pile Weatherstrip (P/N below)	
27	8'0 PVC Lock Cover Assembly – specify left or right hand	3402250[8/9]	Kit includes Lock Cover and Poly-Pile Weatherstrip (P/N below)	
28	10'0 Head Stop Assembly – specify left or right hand	540303...*	Kit includes 2-piece Stop and PVC Panel Guide (P/N below)	
28	12'0 Head Stop Assembly – specify left or right hand	540303...*	Kit includes 2-piece Stop and PVC Panel Guide (P/N below)	
28	16'0 Head Stop Assembly – specify left or right hand	540303...*	Kit includes 2-piece Stop and PVC Panel Guide (P/N below)	
29	Lock Mechanism	34021001	Replacement requires panel removal	
30	4-Panel Mullion Plugs	34000105	Two–(1)Top, (1)Bottom	

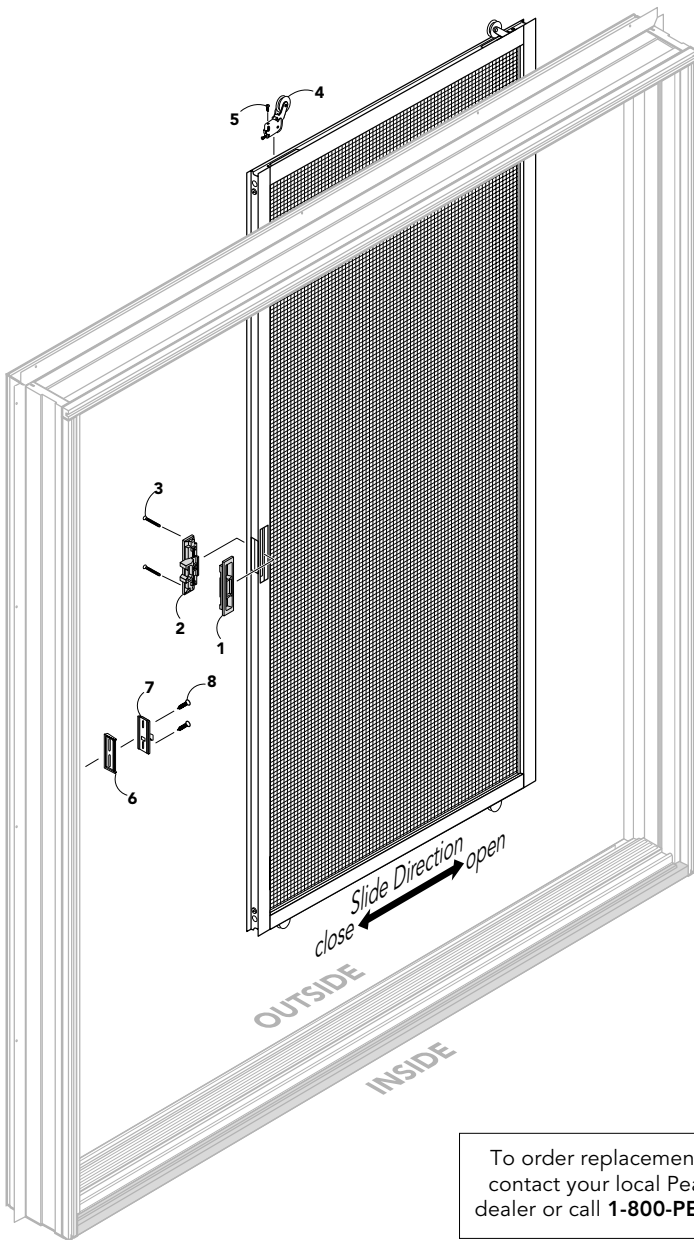
Weatherstrip (Not Shown)	Where used	Part Number	Comments
Poly-Pile	• Sill, PVC Lock Cover, Rec Pnl Mullion	39010080	Specify unit size and where used when ordering
PVC Panel Guide	• Head Stop	34012110	Specify unit size when ordering
C-Fold	• Head and Sill	39010096	Specify unit size when ordering
Q-Lon Foam	• Fixed Jamb Wood Closures	34020110	Specify unit size when ordering
.200 Q-Lon	• Receiving Panel Mullion	34020106	Specify unit size when ordering
.275 Q-Lon	• Fixed Panel	34020102	Specify unit size when ordering
6'8 PVC Mullion Seal	• Center Posts	34022101	Specify unit size when ordering
8'0 PVC Mullion Seal	• Center Posts	34022106	Specify unit size when ordering

NOTES: - Sizes given are nominal. See back cover to determine your unit size.
 - Standard size/type screws can be purchased from your local hardware store.
 To order replacement parts, contact your local Peachtree dealer or call 1-800-PEACH99.

GLASS TYPES: Check the glass identification label on the spacer between glass surfaces to determine your glass type
. IF YOU ARE UNSURE OF THE TYPE OF GLASS IN YOUR DOOR, OR IF THE GLASS IDENTIFICATION LABEL IS FOR A TYPE NOT LISTED, PLEASE CONTACT YOUR LOCAL AUTHORIZED PEACHTREE DEALER TO DETERMINE YOUR GLASS TYPE.

B = Twinsul Clear, Tempered BE = Clear Tempered Low-E Glass
 D = Twinsul Bronze Tint Tempered DE = Bronze Tempered Low-E Glass

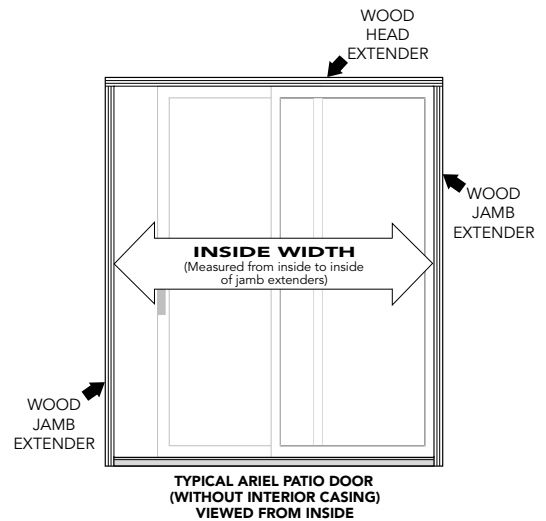
Ariel Patio Screen



Part Description		Part Number
	Screen Latch Hardware Assembly	
1	Screen Outside Latch	6 Keeper Align. Clip
2	Screen Inside Latch Kit	7 Screen Keeper Kit
3	Screen Latch Screw #6x1" Pan Head, Phillips, Self Tapping	See Notes
4	Screen Roller Kit	66500055
5	Screen Roller Screw #8x3/8", Pan Head, Phillips Thread Forming	See Notes
6	Keeper Alignment Clip Included in Screen Keeper Kit	
7	Screen Keeper Kit Kit includes Screen Keeper, Align. Clip and screws	36540456
8	Screen Keeper Screw #8x5/8" Pan Head, Phillips, Self Tapping	See Notes

NOTES: - Contact your local authorized Peachtree dealer to order items not listed in this catalog.
 - Unit sizes given are nominal. See below to determine your unit size.
 - Standard size/type screws can be purchased from your local hardware store.

To order replacement parts, contact your local Peachtree dealer or call 1-800-PEACH99.



Ariel Patio Unit Sizes

 2-Panel	UNIT SIZE	5'0" x 6'9"	6'0" x 6'9"	8'0" x 6'9"	5'0" x 8'0"	6'0" x 8'0"	8'0" x 8'0"
	UNIT WIDTH	60"	72"	96"	60"	72"	96"
	INSIDE WIDTH*	58"	70"	94"	58"	70"	94"
	UNIT HEIGHT	81-1/4"	81-1/4"	81-1/4"	95-1/4"	95-1/4"	95-1/4"
 3-Panel	UNIT SIZE	7'6" x 6'9"	9'0" x 6'9"	12'0" x 6'9"	7'6" x 8'0"	9'0" x 8'0"	12'0" x 8'0"
	UNIT WIDTH	88-3/4"	106-3/4"	143-3/4"	88-3/4"	106-3/4"	143-3/4"
	INSIDE WIDTH*	86-3/4"	104-3/4"	141-3/4"	86-3/4"	104-3/4"	141-3/4"
	UNIT HEIGHT	81-1/4"	81-1/4"	81-1/4"	95-1/4"	95-1/4"	95-1/4"
 4-Panel	UNIT SIZE	10'0" x 6'9"	12'0" x 6'9"	16'0" x 6'9"	10'0" x 8'0"	12'0" x 8'0"	16'0" x 8'0"
	UNIT WIDTH	118"	142"	190"	118"	142"	190"
	INSIDE WIDTH*	116"	140"	188"	116"	140"	188"
	UNIT HEIGHT	81-1/4"	81-1/4"	81-1/4"	95-1/4"	95-1/4"	95-1/4"