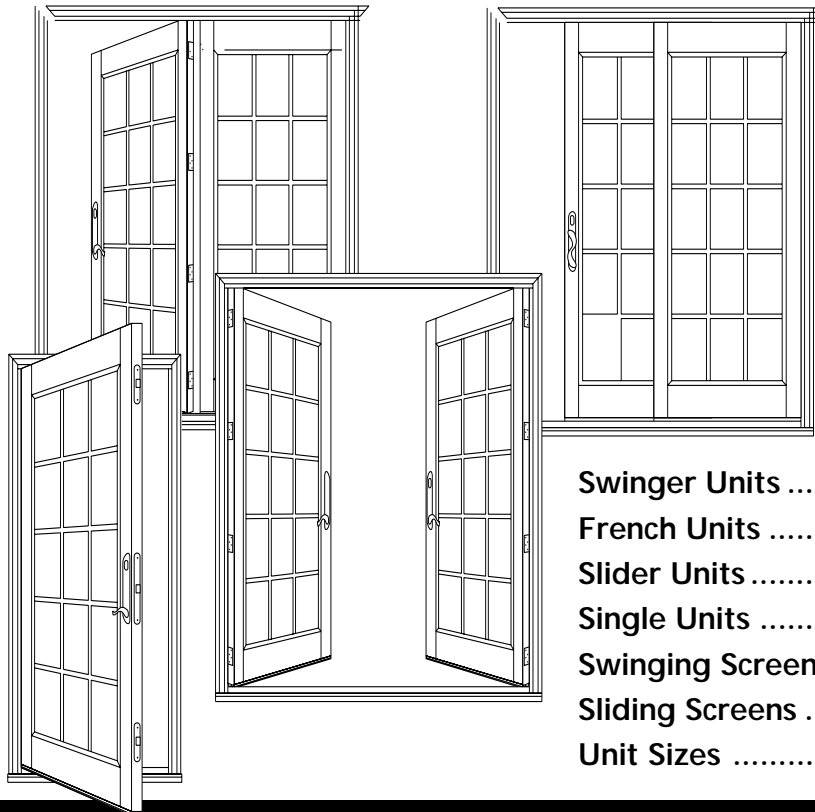


PEACHTREE[®]
DOORS AND WINDOWS

Citadel[™] *Patio Doors*

REPLACEMENT PARTS CATALOG

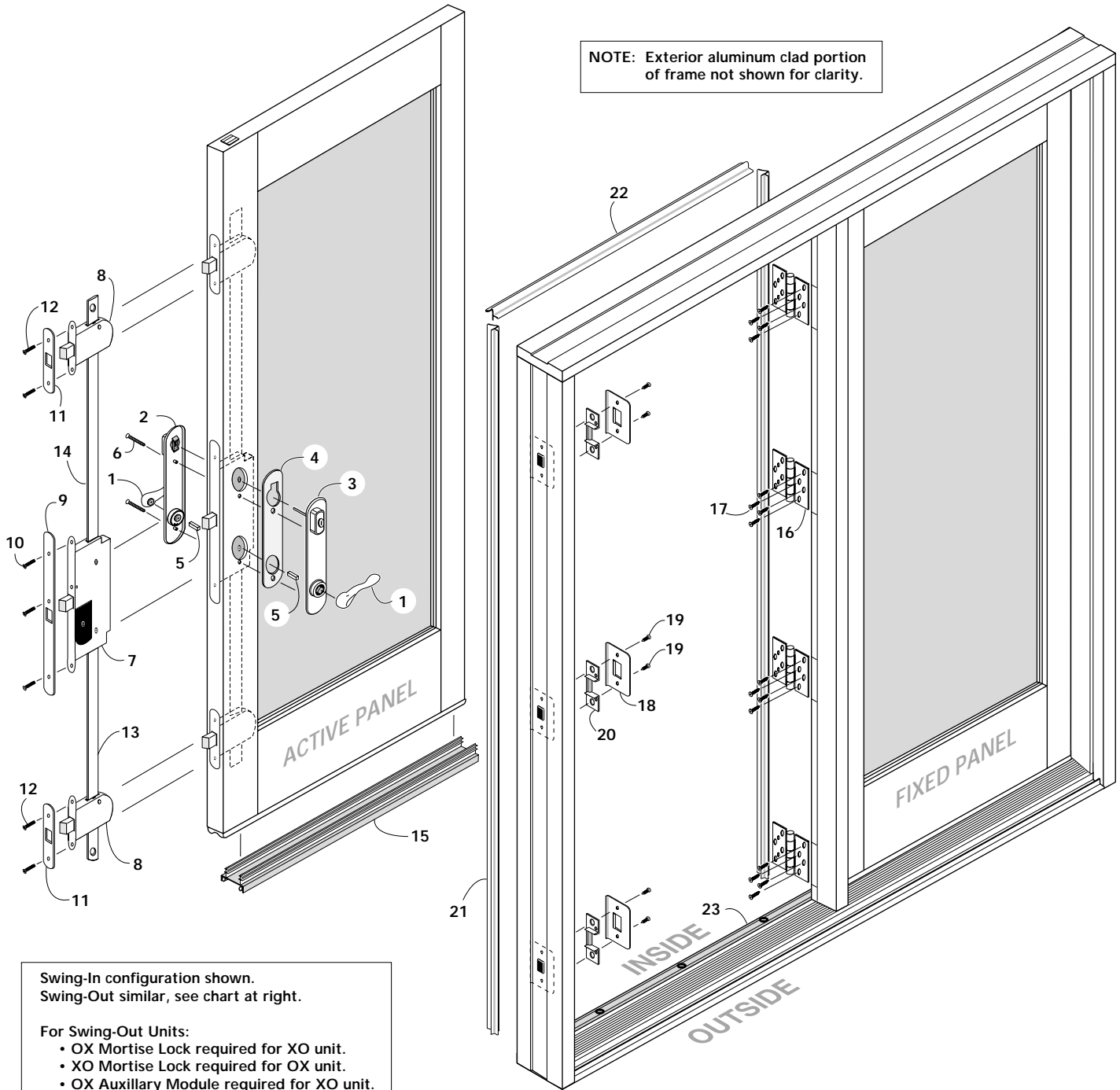


Swinger Units	2
French Units	4
Slider Units	6
Single Units	8
Swinging Screens	10
Sliding Screens	11
Unit Sizes	back cover

Notice: The replacement parts shown herein are for the Peachtree Citadel[™] Patio Door, part of the Vintage[™] Collection. The Citadel patio door frame can be identified by its aluminum clad exterior (Colonial White, Sand, Driftwood or Hunter Green), insulated fiberglass panels that are oak-grained and pre-finished to match the frame on the exterior and ready to stain or paint on the interior. These patio doors use pre-finished aluminum brickmould, multiple lock point operating hardware and 3/4 Low-E insulated glass. When ordering replacement glass, please determine existing glass manufacture date from manufacture date label inside glass before discarding.

Citadel™ Patio Doors Swinger Unit

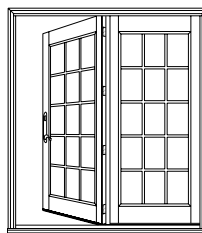
NOTE: Exterior aluminum clad portion of frame not shown for clarity.



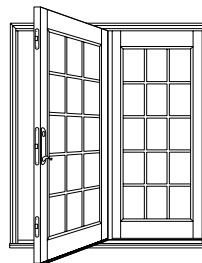
Swing-In configuration shown.
Swing-Out similar, see chart at right.

For Swing-Out Units:

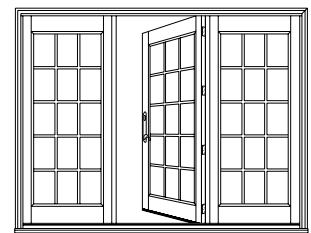
- OX Mortise Lock required for XO unit.
- XO Mortise Lock required for OX unit.
- OX Auxillary Module required for XO unit.
- XO Auxillary Module required for OX unit.



2-Panel Swing-In
XOSI shown (OXSI opposite)



2-Panel Swing-Out
XOSO shown (OXSO opposite)



3-Panel Swing-In
OXOSI RH shown (OXOSI LH opposite)
available swing-In only

UNITS VIEWED FROM OUTSIDE

Citadel™ Patio Doors Swinger Unit

Part Description		Part Number	Comments	
1	Active Hardware Handle Set	IPDSWHW	US-3 Bright Brass finish	Set includes: •Inside & Outside Handles •Inside & Outside Escutcheons w/screws •Gasket & (2) Bushings* *Individual Bushings: Part No. 37400106
2	Active Hardware Inside Escutcheon		US-3 Bright Brass finish	
3	Active Hardware Outside Escutcheon		US-3 Bright Brass finish	
4	Active Hardware Gasket	37401065	For outside eschutcheon only	
5	Mortise Lock Drive Rod - 3/4"		Order by Name (Description)	
6	Escutcheon Screw	See Notes	#10-32 x 2-1/8" Oval head, Phillips Machine, Brass Plated	
7	Swinger/French Mortise Lock OX	37400034	Authorized Service Technician recommended	
7	Swinger/French Mortise Lock XO	37400035	Authorized Service Technician recommended	
8	Swinger/French Auxillary Module XO	37400045	Authorized Service Technician recommended (includes Item 11)	
8	Swinger/French Auxillary Module OX	37400044	Authorized Service Technician recommended (includes Item 11)	
9	Mortise Lock Face Plate Kit	37400080	US-3 Bright Brass finish; includes one face plate with screws	
10	Mortise Lock Face Plate Screw	See Notes	#8 x 3/8" Flat Head Phillips Self Tapping, Brass Plated	
11	Auxillary Module Face Plate - Brass Finish		US-3 Bright Brass finish; includes screws (packaged with Item 8)	
12	Auxillary Module Face Plate Screw	See Notes	#8 x 3/4" Flat Head Phillips Self Tapping, Brass Plated	
13	Bottom Auxillary Module Drive Bar	37400052	Authorized Service Technician recommended; requires panel removal	
14	6'8 Top Auxillary Module Drive Bar	37400062	Authorized Service Technician recommended	
14	8'0 Top Auxillary Module Drive Bar	37400067	Authorized Service Technician recommended	
15	2'6 Bottom Sweep - Swing-in	37400350	For 5'0 swing-in units; requires panel removal	
15	3'0 Bottom Sweep - Swing-in	37400360	For 6'0 swing-in units; requires panel removal	
15	2'6 Bottom Sweep - Swing-out	37400370	For 5'0 swing-out units; requires panel removal	
15	3'0 Bottom Sweep - Swing-out	37400380	For 6'0 swing-out units; requires panel removal	
16	Retrofit Swing-in Adjustable Hinge Kit	IPDRHK	Kit includes one Hinge with screws. US-3 Bright Brass finish	
16	Retrofit Swing-out Adjustable Hinge Kit	IPDRHK	Kit includes one Hinge with screws. US-3 Bright Brass finish	
17	Hinge Screw	See Notes	#12 x 1" with #10 Flat Head Phillips, Self Tapping	
18	Strike Plate Kit	37400109	Kit includes one Strike Plate with screws. US-3 Bright Brass finish	
19	Strike Plate Screw	See Notes	#8 x 3/4" Flat Head Phillips, Self Tapping, Brass Plated	
20	Strike Reinforcing Plate with Roller Bearing	37400072		
21	6'8 Jamb/Mullion Weatherstrip	37400460	C-Fold Type, Beige color	
21	8'0 Jamb/Mullion Weatherstrip	37400465	C-Fold Type, Beige color	
22	2'6 Head Weatherstrip	37400440	For 5'0 units, C-Fold Type, Beige color	
22	3'0 Head Weatherstrip	37400450	For 6'0 units, C-Fold Type, Beige color	
23	2'6 Swing-in Adjustable Oak Threshold	27400000	For 5'0 swing-in units.	
23	3'0 Swing-in Adjustable Oak Threshold	27400010	For 6'0 swing-in units.	
23	2'6 Swing-out Oak Threshold	27400100	For 5'0 swing-out units.	
23	3'0 Swing-out Oak Threshold	27400110	For 6'0 swing-out units.	

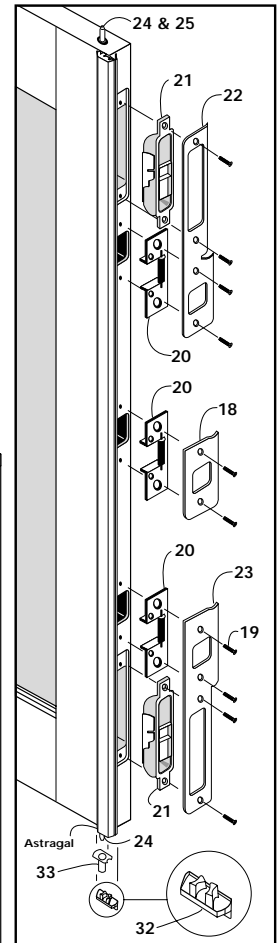
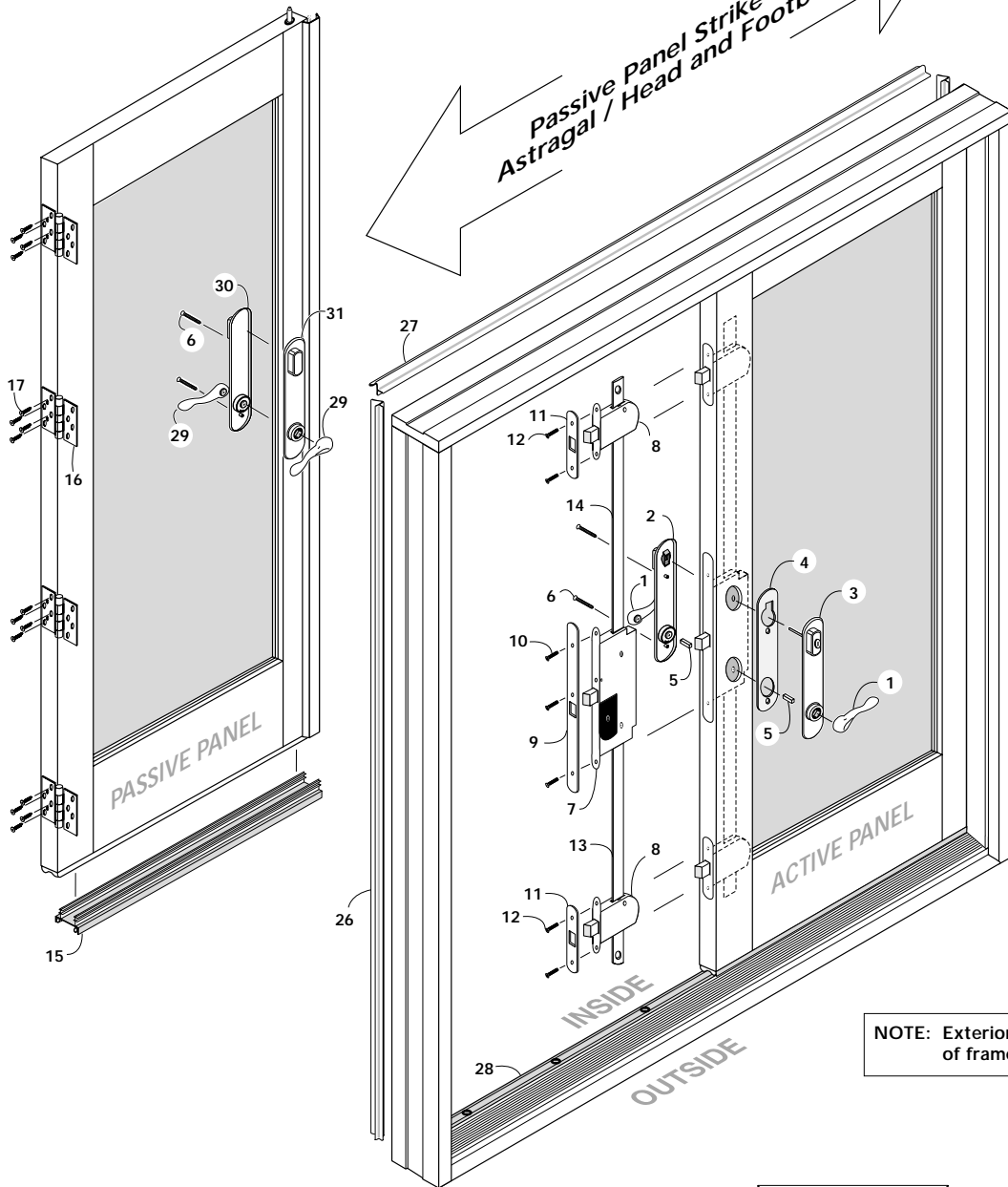
NOTES: - Unit sizes given are nominal. See back cover to determine your unit size.
- Standard size/type screws can be purchased from your local hardware store.

GLASS TYPES: Check the glass identification label on the spacer between glass surfaces to determine your glass type. **IF YOU ARE UNSURE OF THE TYPE OF GLASS IN YOUR DOOR, OR IF THE GLASS IDENTIFICATION LABEL IS FOR A TYPE NOT LISTED, PLEASE CONTACT YOUR LOCAL AUTHORIZED PEACHTREE DEALER TO DETERMINE YOUR GLASS TYPE.**

CT = Twinsul Clear, Tempered	CTE = Clear Tempered Low-E Glass
CTO = Obsure Clear, Tempered	CTOE = Obsure Clear Tempered Low-E Glass
BT = Twinsul Bronze Tint Tempered	BTE = Bronze Tempered Low-E Glass
GT = Grey Tint, Tempered	GTE = Grey Tempered Low-E Glass
TGT = Turtle Glass, Tempered	

To order replacement parts, contact your local Peachtree Dealer or call **1-800-PEACH99**.

Citadel™ Patio Doors French Unit



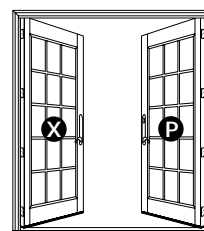
Passive Panel Strike Stile

NOTE: Exterior aluminum clad portion of frame not shown for clarity.

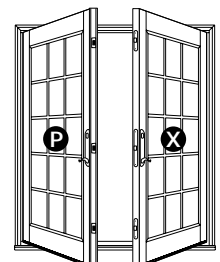
Swing-In configuration shown.
Swing-Out similar, see chart at right.

For Swing-Out Units:

- OX Mortise Lock required for XO unit.
- XO Mortise Lock required for OX unit.
- OX Auxillary Module required for XO unit.
- XO Auxillary Module required for OX unit.



2-Panel Swing-In
XPSI (shown) or PXSII
(P) Passive and (X) Active



2-Panel Swing-Out
PXSO shown (XPSO opposite)
(P) Passive and (X) Active

UNITS VIEWED FROM OUTSIDE

Citadel™ Patio Doors French Unit

Part Description		Part Number	Comments	
1	Active Hardware Handle Set	IPDSWHW	US-3 Bright Brass finish	Set includes: •Inside & Outside Handles •Inside & Outside Escutcheons w/screws •Gasket & (2) Bushings* *Individual Bushings: Part No. 37400106
2	Active Hardware Inside Escutcheon		US-3 Bright Brass finish	
3	Active Hardware Outside Escutcheon		US-3 Bright Brass finish	
4	Active Hardware Gasket	37401065	For outside eschutcheon only	
5	Mortise Lock Drive Rod		Order by Name (Description)	
6	Escutcheon Screw	See Notes	#10-32 x 2-1/8" Oval head, Phillips Machine, Brass Plated	
7	Swinger/French Mortise Lock OX	37400034	Authorized Service Technician recommended	
7	Swinger/French Mortise Lock XO	37400035	Authorized Service Technician recommended	
8	Swinger/French Auxillary Module XO	37400045	Authorized Service Technician recommended (includes Item 11)	
8	Swinger/French Auxillary Module OX	37400044	Authorized Service Technician recommended (includes Item 11)	
9	Mortise Lock Face Plate Kit	37400080	US-3 Bright Brass finish; includes one face plate with screws	
10	Mortise Lock Face Plate Screw	See Notes	#8 x 3/8" Flat Head Phillips Self Tapping, Brass Plated	
11	Auxillary Module Face Plate		US-3 Bright Brass finish; includes screws (packaged with Item 8)	
12	Auxillary Module Face Plate Screw	See Notes	#8 x 3/4" Flat Head Phillips Self Tapping, Brass Plated	
13	Bottom Auxillary Module Drive Bar	37400052	Authorized Service Technician recommended; requires panel removal	
14	6'8 Top Auxillary Module Drive Bar	37400062	Authorized Service Technician recommended	
14	8'0 Top Auxillary Module Drive Bar	37400067	Authorized Service Technician recommended	
15	2'6 Bottom Sweep - Swing-in	37400360	For 5'0 swing-in units; requires panel removal	
15	3'0 Bottom Sweep - Swing-in	37400360	For 6'0 swing-in units; requires panel removal	
15	2'6 Bottom Sweep - Swing-out	37400370	For 5'0 swing-out units; requires panel removal	
15	3'0 Bottom Sweep - Swing-out	37400380	For 6'0 swing-out units; requires panel removal	
16	Retrofit Swing-in Adjustable Hinge Kit	IPDRHK	US-3 Bright Brass finish; kit includes one Hinge with screws	
16	Retrofit Swing-out Adjustable Hinge Kit	IPDRHK	US-3 Bright Brass finish; kit includes one Hinge with screws	
17	Hinge Screw	See Notes	#12 x 1" with #10 Flat Head Phillips, Self Tapping	
18	Center Strike Plate Kit	37400141	US-3 Bright Brass finish; kit includes one Strike Plate with screws	
19	Strike Plate Screw	See Notes	#8 x 3/4" Flat Head Phillips, Self Tapping, Brass Plated	
20	Strike Reinforcing Plate with Roller Bearing	37400132	(3) required per unit	
21	Passive Panel Bolt Lever	37400171	(2) required per unit	
22	Passive Panel Top Strike Plate Kit	37400181	US-3 Bright Brass finish; kit includes one Strike Plate with screws	
23	Passive Panel Bottom Strike Plate Kit	37400191	US-3 Bright Brass finish; kit includes one Strike Plate with screws	
24	6'8 Passive Panel Top/Bottom Drive Bar	37400122	Authorized Service Technician recommended; requires panel removal	
25	8'0 Passive Panel Top Drive Bar	37400127	Authorized Service Technician recommended; requires panel removal	
26	6'8 Jamb Weatherstrip	37400460	C-Fold Type, Beige color	
26	8'0 Jamb Weatherstrip	37400465	C-Fold Type, Beige color	
27	5'0 Head Weatherstrip	37400440	C-Fold Type, Beige color	
27	6'0 Head Weatherstrip	37400450	C-Fold Type, Beige color	
28	5'0 Swing-In Adjustable Oak Threshold	27400020	For 5'0 swing-in units	
28	6'0 Swing-In Adjustable Oak Threshold	27400030	For 6'0 swing-in units	
28	5'0 Swing-Out Oak Threshold	27400120	For 5'0 swing-out units	
28	6'0 Swing-Out Oak Threshold	27400130	For 6'0 swing-out units	
29	Passive Hardware Handle Set	IPDFRHW	US-3 Bright Brass finish	Set includes: •Inside & Outside Handles •Inside & Outside Escutcheons w/screws
30	Passive Hardware Inside Escutcheon		US-3 Bright Brass finish	
31	Passive Hardware Outside Escutcheon		US-3 Bright Brass finish	
32	Astragal Plug	37400567		
33	Passive Panel Bolt Retainer	37400151		

NOTES: - Unit sizes given are nominal. See back cover to determine your unit size.
 - Outswing Units: Swing-Out Sill Strike Plate- part no. 37400300
 Swing-Out Head Strike Plate- part no. 37400151
 - Inswing Units: Swing-In Head/Sill Strike Plate- part no. 37400151
 - Standard size/type screws can be purchased from your local hardware store.

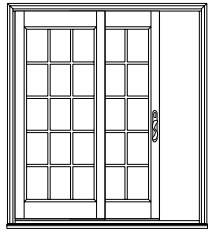
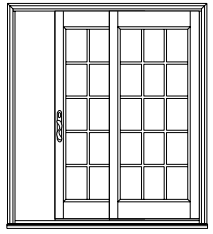
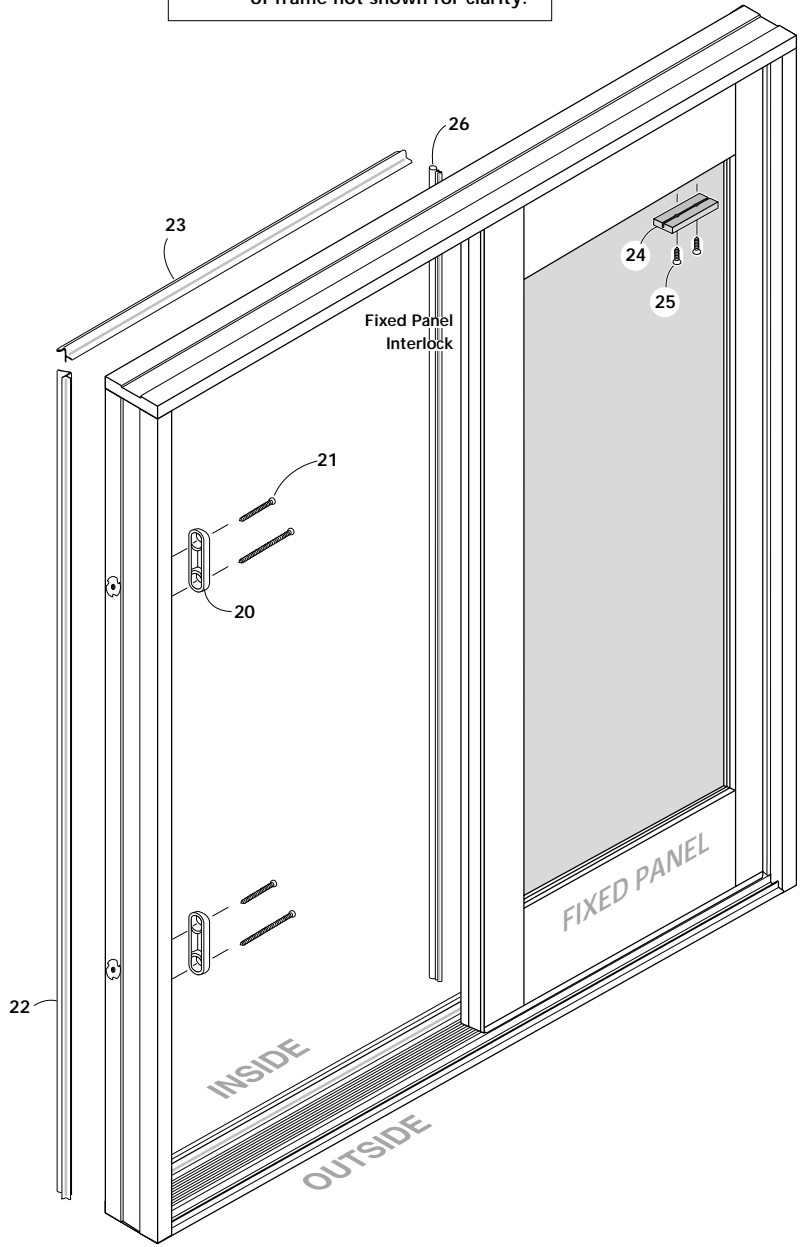
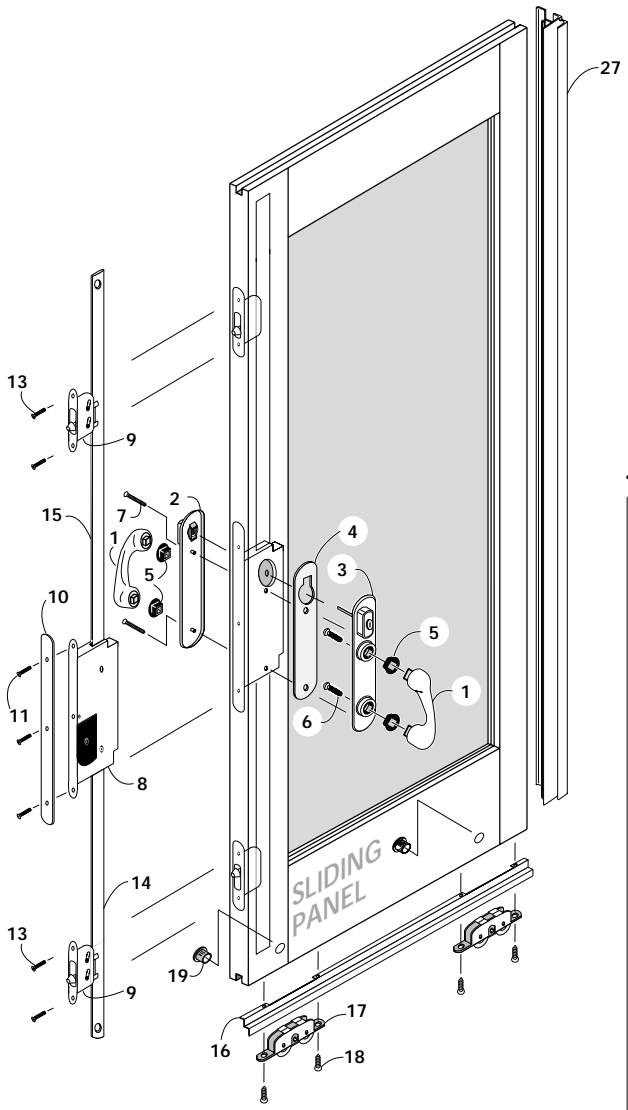
GLASS TYPES: Check the glass identification label on the spacer between glass surfaces to determine your glass type. **IF YOU ARE UNSURE OF THE TYPE OF GLASS IN YOUR DOOR, OR IF THE GLASS IDENTIFICATION LABEL IS FOR A TYPE NOT LISTED, PLEASE CONTACT YOUR LOCAL AUTHORIZED PEACHTREE DEALER TO DETERMINE YOUR GLASS TYPE.**

CT = Twinsul Clear, Tempered	CTE = Clear Tempered Low-E Glass
CTO = Obsure Clear, Tempered	CTOE = Obsure Clear Tempered Low-E Glass
BT = Twinsul Bronze Tint Tempered	BTE = Bronze Tempered Low-E Glass
GT = Grey Tint, Tempered	GTE = Grey Tempered Low-E Glass
TGT = Turtle Glass, Tempered	

To order replacement parts, contact your local Peachtree Dealer or call 1-800-PEACH99.

Citadel™ Patio Doors Slider Unit

NOTE: Exterior aluminum clad portion of frame not shown for clarity.



UNITS VIEWED FROM OUTSIDE

Citadel™ Patio Doors Slider Unit

	Part Description	Part Number	Comments
1	Sliding Hardware Handle Set	IPDSDHW	US-3 Bright Brass finish
2	Sliding Hardware Inside Escutcheon		US-3 Bright Brass finish
3	Sliding Hardware Outside Escutcheon		US-3 Bright Brass finish
4	Sliding Hardware Gasket	37401057	For outside eschutcheon only
5	Sliding Hardware Handle Bushing	37400106	
6	Sliding Hardware Handle Screw	See Notes	#10-32 x 3/4" Pan head, Phillips Machine
7	Escutcheon Screw	See Notes	#10-32 x 2-1/8" Oval head, Phillips Machine, Brass Plated
8	Slider Mortise Lock OX	37400212	Authorized Service Technician recommended
8	Slider Mortise Lock XO	37400212	Authorized Service Technician recommended
9	Slider Auxillary Module XO	37400220	Authorized Service Technician recommended (includes Item 12)
9	Slider Auxillary Module OX	37400220	Authorized Service Technician recommended (includes Item 12)
10	Slider Mortise Lock Face Plate Kit	37400260	US-3 Bright Brass finish; includes Face Plate with screws
11	Mortise Lock Face Plate Screw	See Notes	#8-32 x 3/8" Flat head, Phillips Machine, Brass Plated
12	Slider Auxillary Module Face Plate		Includes screws (packaged with Item 9)
13	Auxillary Module Face Plate Screw	See Notes	#8 x 3/4" Flat head, Phillips Self-Tapping, Brass Plated
14	Bottom Drive Bar	37400242	Authorized Service Technician recommended; requires panel removal
15	6'8 Top Drive Bar	37400252	Authorized Service Technician recommended; requires panel removal
15	8'0 Top Drive Bar	37400257	Authorized Service Technician recommended; requires panel removal
16	2'6 Slider Panel Bottom Insert/Sweep	37400490	Requires panel removal
16	3'0 Slider Panel Bottom Insert/Sweep	37400500	Requires panel removal
16	5'0 Slider Frame Top Insert/Sweep		Requires panel removal
16	6'0 Slider Frame Top Insert/Sweep		Requires panel removal
17	Slider Bottom Tandem Roller Kit	34521050	Kit includes one Roller with screws
18	Slider Bottom Tandem Roller Screw	See Notes	#8 x 1/2" Flat Head, Phillips Self Tapping
19	Roller Adjustment Plug	37400572	(2) per package
20	Slider Lock Keeper Kit	37400231	Kit includes one Keeper with screws
21	Slider Lock Keeper Screw	See Notes	#10-32x1-1/8" Pan head, Phillips / #10x2-1/2" Phillips S.T. (both brass plated)
22	6'8 Jamb Weatherstrip	37400460	C-Fold Type, Beige color
22	8'0 Jamb Weatherstrip	37400465	C-Fold Type, Beige color
23	2'6 Head Weatherstrip	37400440	For 5'0 units – C-Fold Type, Beige color
23	3'0 Head Weatherstrip	37400450	For 6'0 units – C-Fold Type, Beige color
24	Panel Bumper Kit—Top	37400760	Kit includes one bumper with screws
24	Panel Bumper Kit—Bottom	37400760	Kit includes one bumper with screws
25	Panel Bumper Screw	See Notes	#10 x 1-1/4" Pan head, Self Tapping
26	6'8 Jamb Weatherstrip	37400460	C-Fold Type, Beige color
26	8'0 Jamb Weatherstrip	37400465	C-Fold Type, Beige color
27	6'8 Sliding Panel Interlock Cover	37100100	
27	8'0 Sliding Panel Interlock Cover	37000140	

NOTES: - Unit sizes given are nominal. See back cover to determine your unit size.
 - Standard size/type screws can be purchased from your local hardware store.

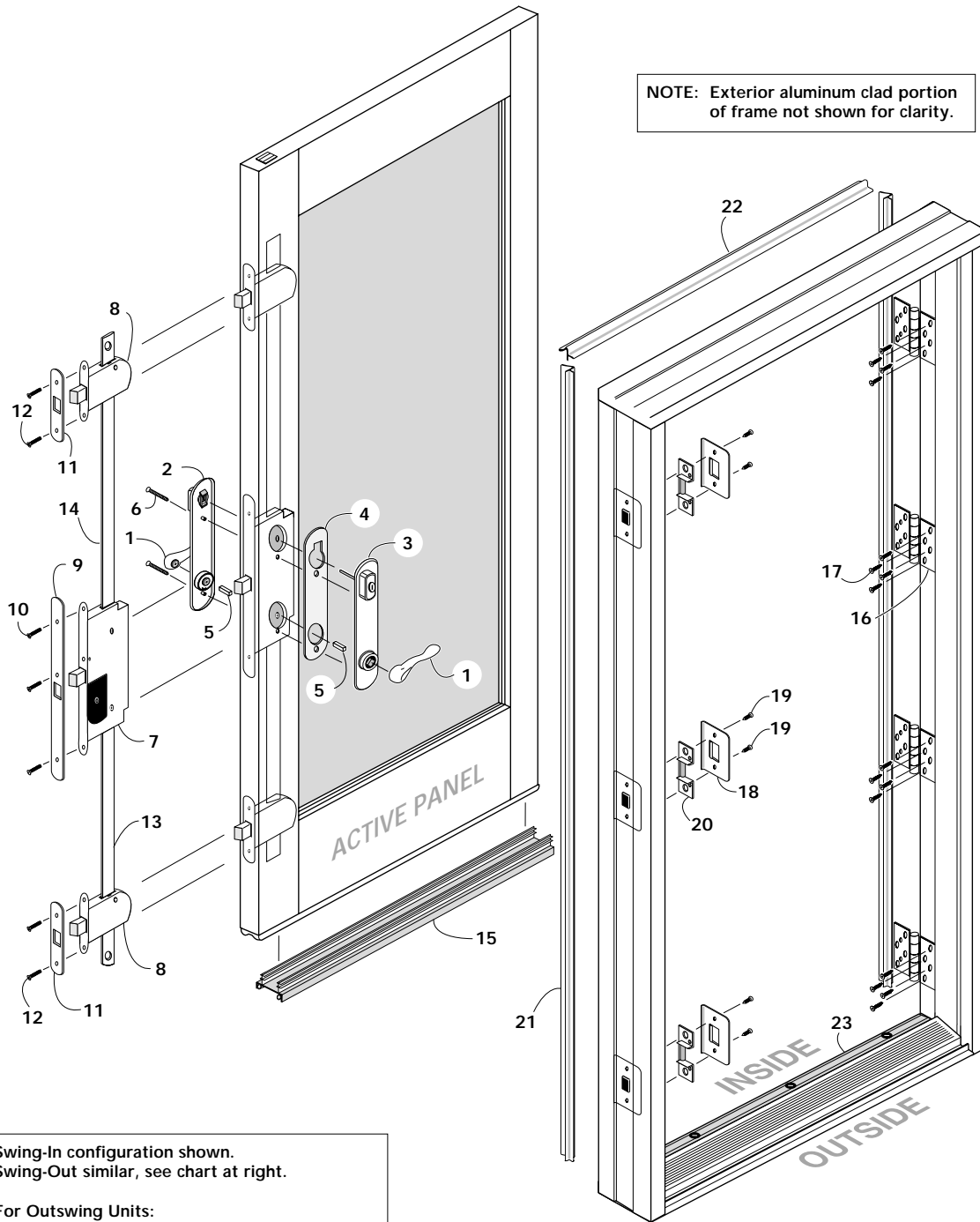
GLASS TYPES: Check the glass identification label on the spacer between glass surfaces to determine your glass type. **IF YOU ARE UNSURE OF THE TYPE OF GLASS IN YOUR DOOR, OR IF THE GLASS IDENTIFICATION LABEL IS FOR A TYPE NOT LISTED, PLEASE CONTACT YOUR LOCAL AUTHORIZED PEACHTREE DEALER TO DETERMINE YOUR GLASS TYPE.**

CT = Twinsul Clear, Tempered	CTE = Clear Tempered Low-E Glass
CTO = Obsure Clear, Tempered	CTOE = Obsure Clear Tempered Low-E Glass
BT = Twinsul Bronze Tint Tempered	BTE = Bronze Tempered Low-E Glass
GT = Grey Tint, Tempered	GTE = Grey Tempered Low-E Glass
TGT = Turtle Glass, Tempered	

To order replacement parts, contact your local Peachtree Dealer or call 1-800-PEACH99.

Citadel™ Patio Doors Single Swing Unit

NOTE: Exterior aluminum clad portion of frame not shown for clarity.



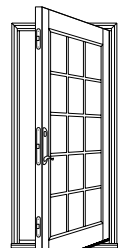
Swing-In configuration shown.
Swing-Out similar, see chart at right.

For Outswing Units:

- OX Mortise Lock required for XO unit.
- XO Mortise Lock required for OX unit.
- OX Auxillary Module required for XO unit.
- XO Auxillary Module required for OX unit.



1-Panel Swing-In
RHSI shown (LHSI opposite)



1-Panel Swing-Out
LHSO shown (RHSO opposite)

UNITS VIEWED FROM OUTSIDE

Citadel™ Patio Doors Single Swing Unit

Part Description		Part Number	Comments	
1	Active Hardware Handle Set	IPDSWHW	US-3 Bright Brass finish	Set includes: •Inside & Outside Handles •Inside & Outside Escutcheons w/screws •Gasket & (2) Bushings* *Individual Bushings: Part No. 37400106
2	Active Hardware Inside Escutcheon		US-3 Bright Brass finish	
3	Active Hardware Outside Escutcheon		US-3 Bright Brass finish	
4	Active Hardware Gasket	37401065	For outside eschutcheon only	
5	Mortise Lock Drive Rod		Order by Name (Description)	
6	Escutcheon Screw	See Notes	#10-32 x 2-1/8" Oval head, Phillips Machine, Brass Plated	
7	Swinger Mortise Lock OX	37400034	Authorized Service Technician recommended	
7	Swinger Mortise Lock XO	37400035	Authorized Service Technician recommended	
8	Swinger Auxillary Module XO	37400045	Authorized Service Technician recommended (includes Item 11)	
8	Swinger Auxillary Module OX	37400044	Authorized Service Technician recommended (includes Item 11)	
9	Mortise Lock Face Plate Kit	37400080	US-3 Bright Brass finish; Includes one Face Plate with screws	
10	Mortise Lock Face Plate Screw	See Notes	#8 x 3/8" Flat Head Phillips Self Tapping, Brass Plated	
11	Auxillary Module Face Plate		US-3 Bright Brass finish; includes screws (packaged with Item 8)	
12	Auxillary Module Face Plate Screw	See Notes	#8 x 3/4" Flat Head Phillips Self Tapping, Brass Plated	
13	Bottom Drive Bar	37400052	Authorized Service Technician recommended; requires panel removal	
14	6'8 Top Drive Bar	37400062	Authorized Service Technician recommended	
14	8'0 Top Drive Bar	37400067	Authorized Service Technician recommended	
15	2'6 Bottom Sweep - Swing-in	37400350	For 2'6 swing-in units; requires panel removal	
15	3'0 Bottom Sweep - Swing-in	37400360	For 3'0 swing-in units; requires panel removal	
15	2'6 Bottom Sweep - Swing-out	37400370	For 2'6 swing-out units; requires panel removal	
15	3'0 Bottom Sweep - Swing-out	37400380	For 3'0 swing-out units; requires panel removal	
16	Retrofit Swing-in Adjustable Hinge Kit	IPDRHK	US-3 Bright Brass finish; kit includes one Hinge with screws	
16	Retrofit Swing-out Adjustable Hinge Kit	IPDRHK	US-3 Bright Brass finish; kit includes one Hinge with screws	
17	Hinge Screw	See Notes	#12 x 1" with #10 Flat Head Phillips, Self Tapping	
18	Strike Plate Kit	37400109	US-3 Bright Brass finish; kit includes one Strike Plate with screws	
19	Strike Plate Screw	See Notes	#8 x 3/4" Flat Head Phillips, Self Tapping, Brass Plated	
20	Strike Reinforcing Plate with Roller Bearing	37400072		
21	6'8 Jamb Weatherstrip	37400460	C-Fold Type, Beige color	
21	8'0 Jamb Weatherstrip	37400465	C-Fold Type, Beige color	
22	2'6 Head Weatherstrip	37400440	C-Fold Type, Beige color; 5'0 length-cut to fit	
22	3'0 Head Weatherstrip	37400440	C-Fold Type, Beige color; 5'0 length-cut to fit	
23	2'6 Swing-in Adjustable Oak Threshold	27400000	For 2'6 swing-in units	
23	3'0 Swing-in Adjustable Oak Threshold	27400010	For 3'0 swing-in units	
23	2'6 Swing-out Oak Threshold	27400010	For 2'6 swing-out units	
23	3'0 Swing-out Oak Threshold	27400110	For 3'0 swing-out units	

NOTES: - Unit sizes given are nominal. See back cover to determine your unit size.
 - Standard size/type screws can be purchased from your local hardware store.

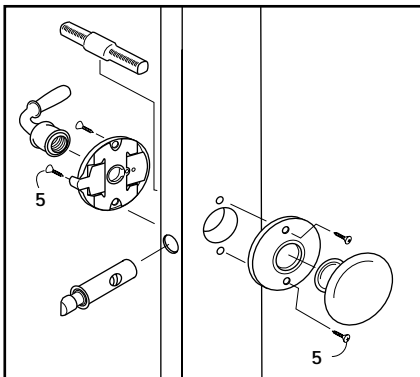
GLASS TYPES: Check the glass identification label on the spacer between glass surfaces to determine your glass type. **IF YOU ARE UNSURE OF THE TYPE OF GLASS IN YOUR DOOR, OR IF THE GLASS IDENTIFICATION LABEL IS FOR A TYPE NOT LISTED, PLEASE CONTACT YOUR LOCAL AUTHORIZED PEACHTREE DEALER TO DETERMINE YOUR GLASS TYPE.**

CT = Twinsul Clear, Tempered	CTE = Clear Tempered Low-E Glass
CTO = Obsure Clear, Tempered	CTOE = Obsure Clear Tempered Low-E Glass
BT = Twinsul Bronze Tint Tempered	BTE = Bronze Tempered Low-E Glass
GT = Grey Tint, Tempered	GTE = Grey Tempered Low-E Glass
TGT = Turtle Glass, Tempered	

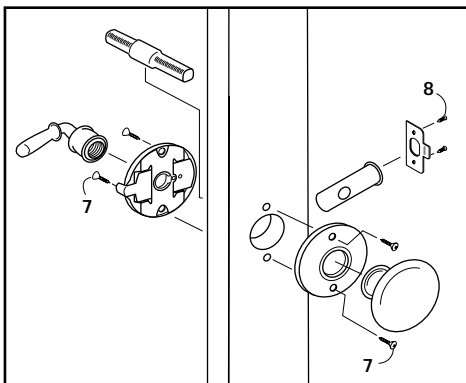
To order replacement parts, contact your local Peachtree Dealer or call 1-800-PEACH99.

Citadel™ Patio Doors Swinging Screen

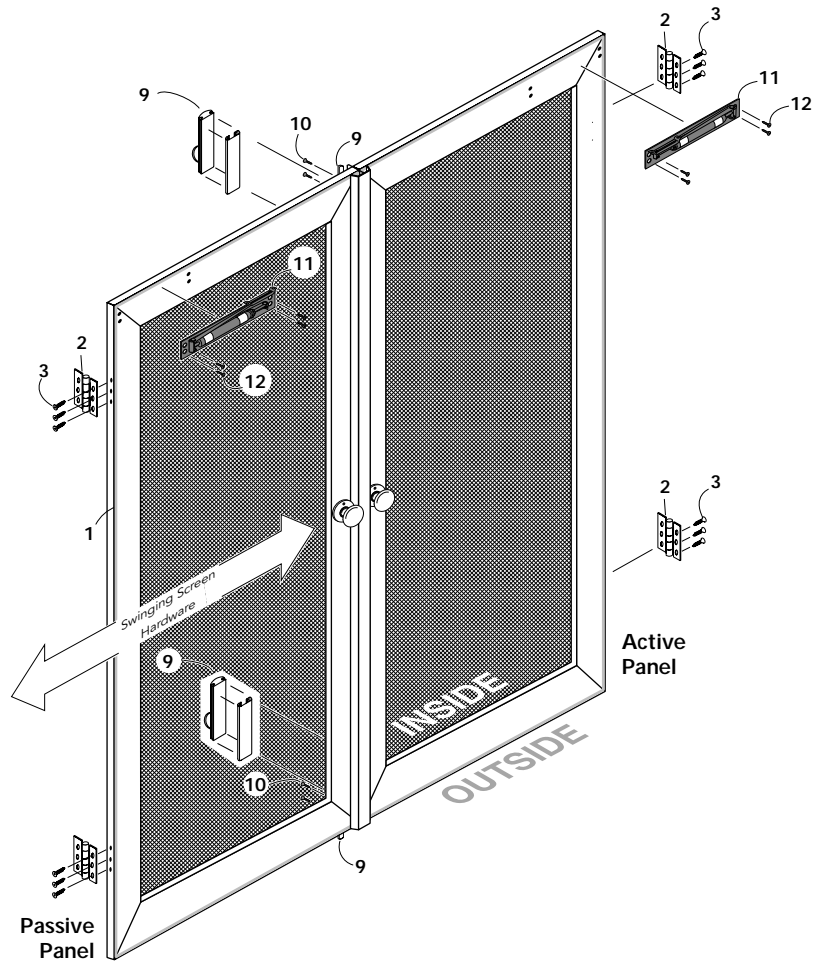
Components in Hardware Kits 4 and 6 (below) are not offered individually.



4 Active Panel Hardware



6 Passive Panel Hardware



Part Description		Part Number	Comments
1	Screen Weatherstrip	36530200	
2	Swinging Screen Hinge Kit	37300112	Brass finish; kit includes (2) Hinges with screws
3	Swinging Screen Hinge Screw	See Notes	#8 x 3/4" Flat head, Phillips Self Tapping, Brass Plated
4	Active Panel Hardware Kit	FASCHW	*See Notes for Hardware Kit components
5	Active Panel Hardware Escutcheon Screw	See Notes	#6 x 3/4" Oval head, Phillips Self Tapping, Brass Plated
6	Passive Panel Hardware Kit	FPSCHW	**See Notes for Hardware Kit components
7	Passive Panel Hardware Escutcheon Screw	See Notes	#6 x 3/4" Oval head, Phillips Self Tapping, Brass Plated
8	Passive Panel Hardware Strike Plate Screw	See Notes	#4 x 5/8" Oval head, Phillips Self Tapping, Brass Plated
9	Passive Panel Surface Bolt Kit	37300085	Kit includes one Surface Bolt with strike plate and screws
10	Passive Panel Surface Bolt Screw	See Notes	#4 x 5/8" Oval head, Phillips Self Tapping, Brass Plated
11	Swinging Screen Closer Kit	37300060	Kit includes one Closer with installation hardware
12	Swinging Screen Closer Screw	See Notes	#10 x 1" Flat head, Phillips Self Tapping

NOTES: - Standard size/type screws can be purchased from your local hardware store.

*Active Panel Hardware Kit contains:

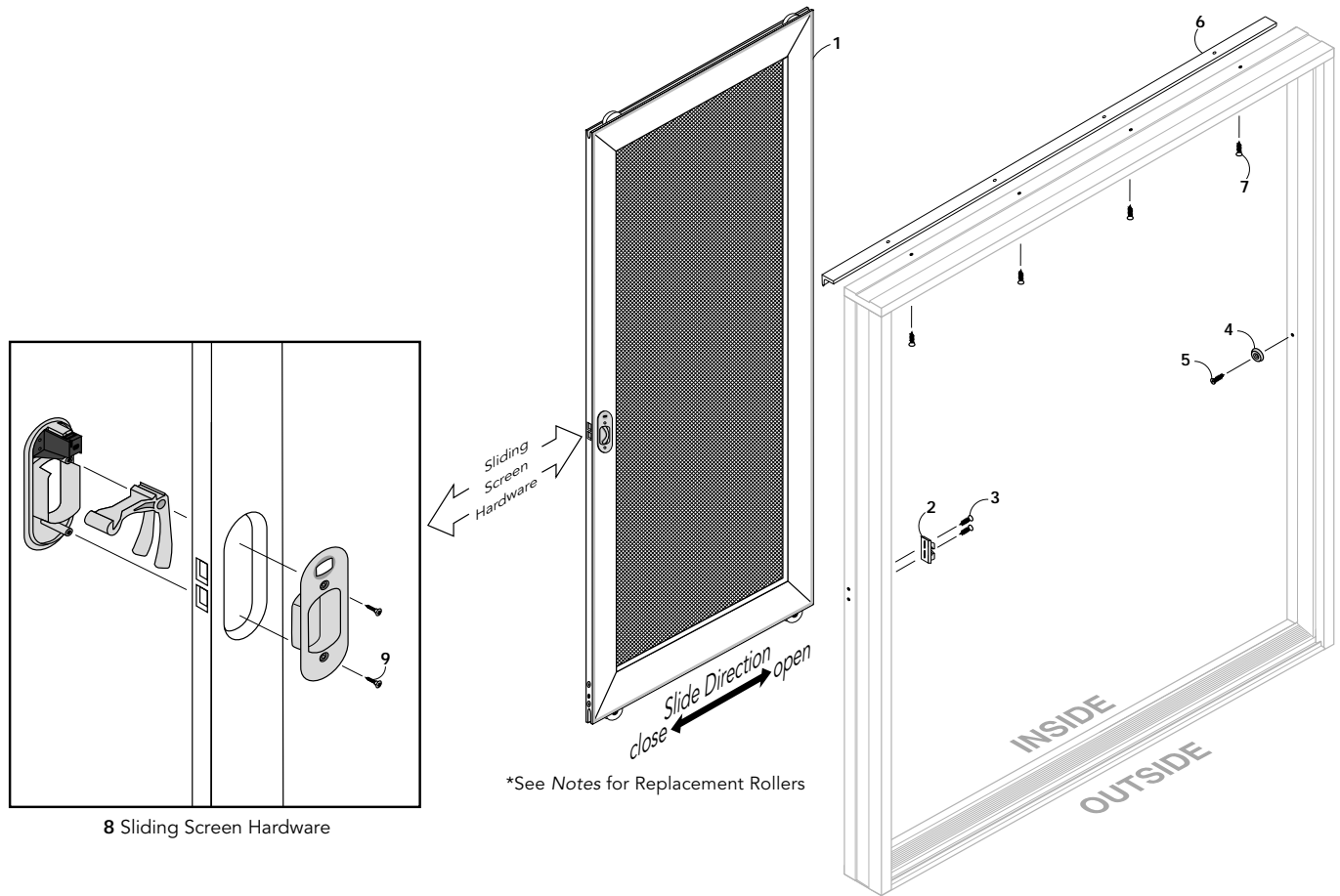
- Active panel handle hardware (see 4 illustration)
- (2) hinges with screws (Citadel Units Only: use pre-drilled spacers between hinge leaf and jamb.)
- Swinging Screen Closer Kit

**Passive Panel Hardware Kit contains:

- Active panel handle hardware (see 6 illustration)
- (2) Surface Bolt Kits
- (2) hinges with screws (Citadel Units Only: use pre-drilled spacers (part no. 37300198) between hinge leaf and jamb.)
- Swinging Screen Closer Kit

To order replacement parts, contact your local Peachtree Dealer or call 1-800-PEACH99.

Citadel™ Patio Doors Sliding Screen




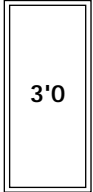
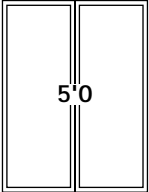
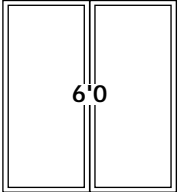
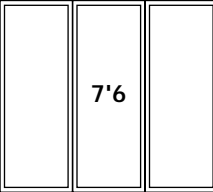
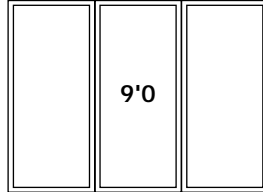

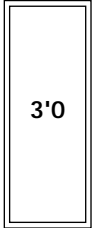
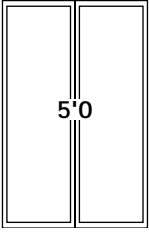
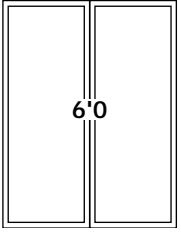
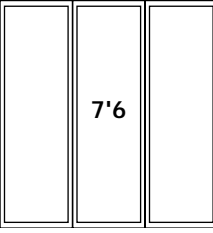
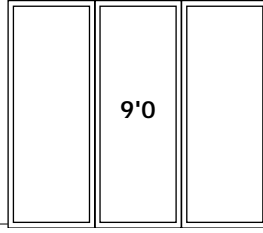
Part Description		Part Number	Comments
1	Screen Weatherstrip	36630200	
2	Sliding Screen Keeper Kit	37300021	Kit includes Screen Keeper with screws
3	Sliding Screen Keeper Screw	See Notes	#8 x 1/2" Pan head, Phillips Self Tapping
4	Sliding Screen Bumper Kit	37300190	Kit includes Screen Bumper with screw
5	Sliding Screen Bumper Screw	See Notes	#6 x 1/2" Truss head, Phillips Self Tapping
6	5'0 Sliding Screen Track	IPDSCTK.11	prefinished aluminum
6	6'0 Sliding Screen Track	IPDSCTK.12	prefinished aluminum
7	Sliding Screen Track Screw	See Notes	#10 x 5/8" Pan head, Phillips Self Tapping
8	Sliding Screen Hardware Kit	37201000	Kit includes Hardware components with screws
9	Sliding Screen Hardware Screw	See Notes	#8 x 5/8" Pan head, Phillips Type "F" thread, cutting screw

NOTES: - Standard size/type screws can be purchased from your local hardware store.

*Rollers are built into the frame corner key—order Corner Key (part no. 37300080).

To order replacement parts, contact your local Peachtree Dealer or call 1-800-PEACH99.

Citadel™ Patio Doors Unit Sizes

	UNIT WIDTH	30-1/2"	36-1/2"	59-1/8"	71-1/8"	89-5/8"	107-5/8"	
	INSIDE WIDTH	28-3/4"	34-3/4"	57-3/8"	69-3/8"	87-7/8"	105-7/8"	
6'8 UNITS UNIT HEIGHT: 80-1/4"								
		2'6	3'0	5'0	6'0	7'6	9'0	
								
		2'6	3'0	5'0	6'0	7'6	9'0	
		Inside width measured on inside of unit from inside jamb to inside jamb.						